

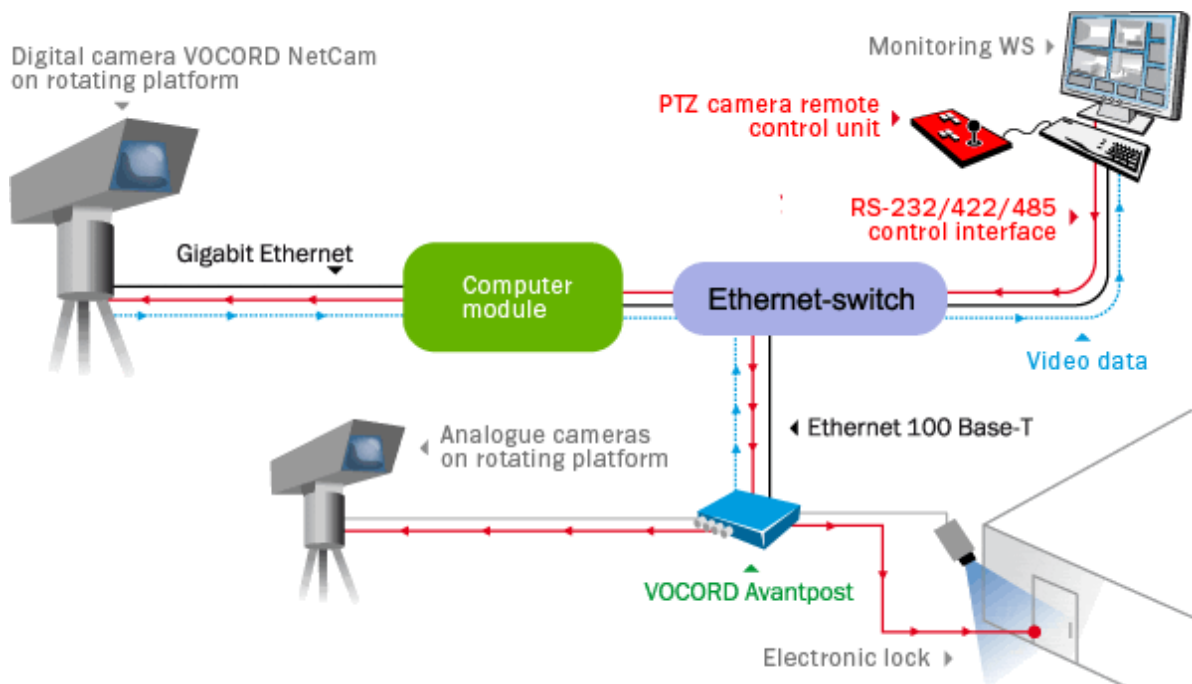
## RemoteDrive

### Tunneling command protocols of peripheral equipment in digital networks

The RemoteDrive technology is a part of VOCORD Tahion distributed security system.

In distributed security systems, managing peripheral equipment at remote sites can be a serious issue. Limited length of communication lines can make direct connection to the command interface costly or impossible.

For security systems built on digital networks, the RemoteDrive technology is a solution that facilitates tunneling command protocols through a general-purpose IP network. Remote control units of peripheral equipment (PTZ cameras, access controllers, alarm panels and other devices that mostly support RS232/422/485 protocols) are connected to automated workstations. The command protocol is sent to the remote server through a TCP/IP network, and peripheral equipment is connected to the remote server. Therefore, remote systems are managed transparently, as if they were directly connected to their remote control units.



*Video surveillance system built with RemoteDrive technology*

RemoteDrive eliminates the need for establishing additional physical connection lines by using existing networks. This technology provides support for all features of peripheral equipment, regardless of the complexity of the security system, and allows managing the equipment even when standard solutions are not available (for example, when only a wireless network is present).

Moreover, the RemoteDrive technology provides the option of registering all data that is sent via control protocols for future analysis, offering more data for the users of the system.

RemoteDrive is supported by the [VOCORD Avantpost](#) family of compact specialized servers and by all models of VOCORD NetCam high-resolution digital cameras.